


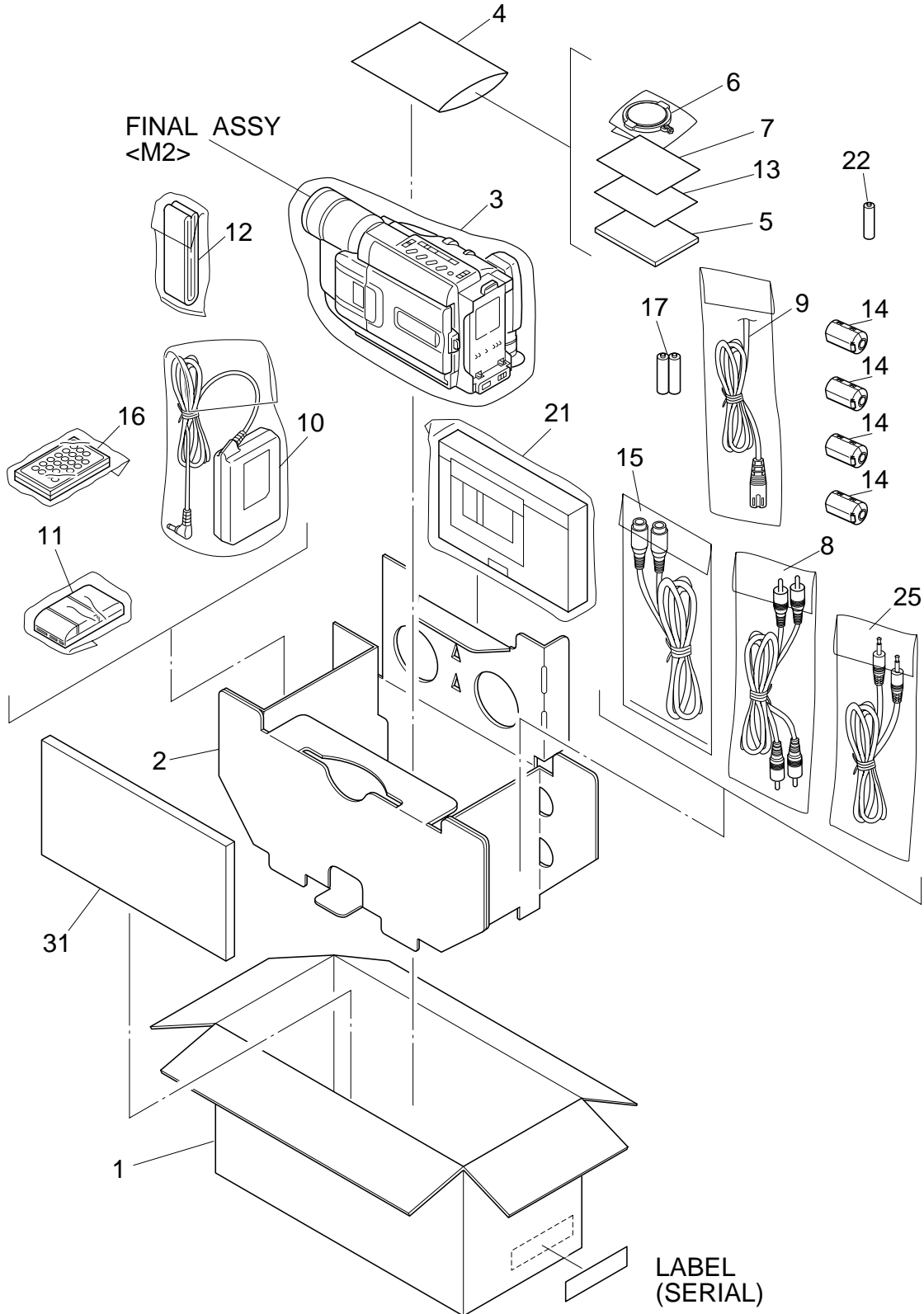
# SECTION 5 PARTS LIST

## SAFETY PRECAUTION

Parts identified by the  symbol are critical for safety. Replace only with specified part numbers.

### 5.1 PACKING AND ACCESSORY ASSEMBLY <M1>

The instruction manual to be provided with this product will differ according to the destination.



# △ REF No. PART No. PART NAME, DESCRIPTION  
 \*\*\*\*\*

**PACKING AND ACCESSORY ASSEMBLY <M1>**

1	LY32054-032A	PACKING CASE,C
	LY32054-038A	PACKING CASE,A
	LY32054-040A	PACKING CASE,B
2	LY32065-001A	CUSHION
3	LY30023-002A	POLY BAG
4	QPA02003506	POLY BAG
△ 5	LYT0686-001A	IB(EN)
△ 5	LYT0686-002A	IB(CH)
△ 5	LYT0686-003A	IB(RU)
6	LY41538-002B	LENS CAP
7	BT-59011-2	WARRANTY CARD
8	PEAC0362-150	CABLE ASSY(AUDIO/VIDEO)
△ 9	QMPS120-190-JR	POWER CORD
△ 10	LY20688-009A	AC ADAPTER,AP-V10ED
△ 11	YQ10629E	BATTERY PACK,BN-V11U
12	LY20186-001A	SHOULDER STRAP
13	BT-59012-1	GUARANTY CARD
14	QQR0491-002	CORE FILTER,X3 A
	QQR0491-002	CORE FILTER,X4 B,C
15	QAM0004-003	S CABLE,S-VIDEO CABLE,B,C
16	LY20543-002A	REMOTE CONTROL UNIT,RM-V716U
17	-	AAA(R03)BATTERY,FOR RCU,X2
21	YQ31963A-3	CASSETTE ADAPTER
	or YQ31963B-3	CASSETTE ADAPTER
22	-	AA(R6)BATTER,FOR CASS.ADAPTER
25	PEAC0428-150	CABLE ASSY(EDITING)
31	LY43032-001A	SPACER(PACKING),C

**• INSTRUCTIONS**

EN ..... ENGLISH  
 CH ..... CHINESE  
 RU ..... RUSSIAN

MODEL	MARK
GR-FXM66ED	A
GR-SXM76ED	B
GR-SXM86ED	C

5.2 ELECTRICAL PARTS LIST

MODEL	MARK
GR-FXM66ED	A
GR-SXM76ED	B
GR-SXM86ED	C

#	△ REF No.	PART No.	PART NAME, DESCRIPTION
*****			
<b>MAIN BOARD ASSEMBLY &lt;01&gt;</b>			
PW		YB10310EP-01	MAIN BOARD ASSY,B
		YB10310EO-01	MAIN BOARD ASSY,A
		YB10310EL-01	MAIN BOARD ASSY,C
IC101		UPD703039-026	IC(MICRO C ROM)
		or UPD70F3040-026	IC(MICRO C ROM)
IC102		TC7S86FU	IC(DIGITAL)
		or SN74AHC1G86K	IC
		or MC74VHC1G86DF	IC
IC104		AT25080N-10SC-X	IC
		or X25170S8I-2.5-X	IC
		or 25LC080-I/SN-X	IC
IC105		M62367GP	IC
IC106		IC-PST9327U-X	IC
IC107		RS5C314	IC
△ IC1601		BD6630KV	IC
IC1801		PIC-26043S	IR DETECT UNIT
IC2001		MC74AC04DT	IC
IC2401		NJM2073M-XE	IC
IC3001		JCY0130	IC
IC3002		74HC1G04GW	IC
IC3501		HA118224F	IC
IC4001		JCY0149	IC
IC4002		TMS4C2973-28-X	IC
IC4003		UPD6467GR-506-X	IC(MICRO C ROM)
IC4201		UPC358G2/5-W	IC
IC4202		BA10324AF-XE	IC
IC4251		BA10358F-XE	IC
IC4501		UPD16835G3	IC
IC5201		HD49326BF	IC
IC5202		JCY0098	IC
IC6001		FA3698F	IC
IC7002		MN5814	IC
IC7006		BA4558F	IC
IC7007		TC7S04FU	IC(DIGITAL),A,B
		or SN74AHC1G04K	IC,A,B
		or MC74VHC1G04DF	IC,A,B
IC7008		SN74LV4052APW	IC
Q101		2SA1774/RS/-X	TRANSISTOR
Q102		DTC144EE	TRANSISTOR
Q103		2SC4617/QR/-X	TRANSISTOR
Q104		DTC144EE	TRANSISTOR
Q105		2SA1774/RS/-X	TRANSISTOR
Q110		DTC144EE	TRANSISTOR
Q111		DTC114EE	TRANSISTOR
Q112		DTC114EE	TRANSISTOR
Q113		2SC4097/QR/-X	TRANSISTOR
Q2001		DTA114TE	TRANSISTOR
Q2007		PUMX1	PAIR TRANSISTOR
		or HN1C01FU/G/-X	PAIR TRANSISTOR
		or UMX1N	PAIR TRANSISTOR
Q2008		PUMT1	PAIR TRANSISTOR
		or HN1A01FU/G/-X	PAIR TRANSISTOR
Q2021		DTC144EE	TRANSISTOR
Q2022		DTC144EE	TRANSISTOR
Q2023		2SC4617/QR/-X	TRANSISTOR
Q2071		2SC4617/QR/-X	TRANSISTOR
Q2401		DTC144EE	TRANSISTOR

#	△ REF No.	PART No.	PART NAME, DESCRIPTION
Q2402		DTA144EE	TRANSISTOR
Q3002		PUMX1	PAIR TRANSISTOR
		or UMX1N	PAIR TRANSISTOR
		or HN1C01FU/G/-X	PAIR TRANSISTOR
Q3003		2SC4097/QR/-X	TRANSISTOR
Q3006		DTC144EE	TRANSISTOR,B,C
Q3501		HN1C01FU/G/-X	PAIR TRANSISTOR
Q3502		HN1C01FU/G/-X	PAIR TRANSISTOR
Q3505		DTC144EE	TRANSISTOR,B,C
Q3901		HN1A01FU/G/-X	PAIR TRANSISTOR
Q4201		2SC4617/QR/-X	TRANSISTOR
Q4251		RPM-22PB	PHOTO TRANSISTOR
Q4501		DTC114EE	TRANSISTOR
Q4701		PUMX1	PAIR TRANSISTOR
		or HN1C01FU/G/-X	PAIR TRANSISTOR
Q4702		2SC4617/QR/-X	TRANSISTOR
Q4703		PUMX1	PAIR TRANSISTOR
		or HN1C01FU/G/-X	PAIR TRANSISTOR
Q4704		PUMT1	PAIR TRANSISTOR
		or HN1A01FU/G/-X	PAIR TRANSISTOR
Q4705		2SC4617/QR/-X	TRANSISTOR,B,C
Q4706		2SC4617/QR/-X	TRANSISTOR,B,C
Q4707		2SC4617/QR/-X	TRANSISTOR,B,C
Q4711		PUMX1	PAIR TRANSISTOR,B,C
		or HN1C01FU/G/-X	PAIR TRANSISTOR,B,C
Q4712		PUMT1	PAIR TRANSISTOR,B,C
		or HN1A01FU/G/-X	PAIR TRANSISTOR,B,C
Q4713		PUMX1	PAIR TRANSISTOR,B,C
		or HN1C01FU/G/-X	PAIR TRANSISTOR,B,C
Q4714		PUMT1	PAIR TRANSISTOR,B,C
		or HN1A01FU/G/-X	PAIR TRANSISTOR,B,C
Q4715		PUMX1	PAIR TRANSISTOR,B,C
		or HN1C01FU/G/-X	PAIR TRANSISTOR,B,C
Q6101		SSM6J07FU	MOS FET
Q6106		HN1C01FU/G/-X	PAIR TRANSISTOR
Q6107		SSM3J05FU	MOS FET
Q6201		SSM6J07FU	MOS FET
Q6301		CPH3304	MOS FET
Q6306		SSM3K02F	MOS FET,B,C
Q6307		2SC4617/QR/-X	TRANSISTOR
Q6308		CPH3101	TRANSISTOR
Q6401		SSM6J07FU	MOS FET
Q6501		SSM6J07FU	MOS FET
Q6601		CPH3304	MOS FET
Q6608		DTC144EE	TRANSISTOR
Q6621		HN1C01FU/G/-X	PAIR TRANSISTOR
Q6622		2SA1577/QR/-X	TRANSISTOR
Q6701		FX802	TRANSISTOR
Q6702		2SC4097/QR/-X	TRANSISTOR
Q6801		2SA1577/QR/-X	TRANSISTOR
Q6811		2SB1121/TU/-X	TRANSISTOR
Q7003		PUMX1	PAIR TRANSISTOR
Q7011		PUMX1	PAIR TRANSISTOR
Q7013		PUMX1	PAIR TRANSISTOR
Q7015		PUMX1	PAIR TRANSISTOR
Q7017		2SC4617/QR/-X	TRANSISTOR
Q7018		2SA1774/QR/-X	TRANSISTOR
Q7019		2SC4617/QR/-X	TRANSISTOR
Q7020		2SA1774/QR/-X	TRANSISTOR
Q7022		DTC144EE	TRANSISTOR,A,B
△ D101		SB007W03Q	SB DIODE

#	△	REF No.	PART No.	PART NAME, DESCRIPTION	#	△	REF No.	PART No.	PART NAME, DESCRIPTION
		D102	UDZS7.5B	ZENER DIODE			R147	NRSA63J-472X	MG RESISTOR 4.7kΩ, 1/16W
		D105	1SS355	DIODE			R148	NRSA63J-0R0X	MG RESISTOR 0Ω, 1/16W
		D106	1SS355	DIODE			R149	NRSA63J-104X	MG RESISTOR 100kΩ, 1/16W
		D107	SB007W03Q	SB DIODE			R150	NRSA63J-222X	MG RESISTOR 2.2kΩ, 1/16W
		D501	MA8068	ZENER DIODE			R151	NRSA63J-222X	MG RESISTOR 2.2kΩ, 1/16W
		D502	MA8068	ZENER DIODE			R152	NRSA63J-474X	MG RESISTOR 470kΩ, 1/16W
		D3001	DAN222	DIODE,B,C			R153	NRSA63J-474X	MG RESISTOR 470kΩ, 1/16W
		D5201	1SS355	DIODE			R158	NRSA63J-474X	MG RESISTOR 470kΩ, 1/16W
		D6001	CRS03	SB DIODE			R159	NRSA63J-474X	MG RESISTOR 470kΩ, 1/16W
		D6101	CRS03	SB DIODE			R160	NRSA63J-474X	MG RESISTOR 470kΩ, 1/16W
		D6106	1SS357	SB DIODE			R161	NRSA63J-104X	MG RESISTOR 100kΩ, 1/16W
		D6201	CRS03	SB DIODE			R162	NRSA63J-472X	MG RESISTOR 4.7kΩ, 1/16W
		D6301	CRS03	SB DIODE			R163	NRSA63J-221X	MG RESISTOR 220Ω, 1/16W
		D6401	CRS03	SB DIODE			R164	NRSA63J-472X	MG RESISTOR 4.7kΩ, 1/16W
		D6501	CRS03	SB DIODE			R166	NRSA63J-103X	MG RESISTOR 10kΩ, 1/16W
		D6601	1SS383	SB DIODE			R167	NRSA63J-183X	MG RESISTOR 18kΩ, 1/16W
		D6616	UDZ5.1(B)	ZENER DIODE			R168	NRSA63J-562X	MG RESISTOR 5.6kΩ, 1/16W
		D7002	MA365	VARI CAP DIODE			R170	NRSA63J-333X	MG RESISTOR 33kΩ, 1/16W
		D7004	RB471E	SB DIODE			R171	NRSA63J-104X	MG RESISTOR 100kΩ, 1/16W
		R101	NRSA63J-104X	MG RESISTOR 100kΩ, 1/16W			R172	NRSA63J-151X	MG RESISTOR 150Ω, 1/16W
△		R104	NRSA63J-102X	MG RESISTOR 1kΩ, 1/16W			R173	NRSA63J-0R0X	MG RESISTOR 0Ω, 1/16W
		R105	NRSA63J-103X	MG RESISTOR 10kΩ, 1/16W			R174	NRSA63J-0R0X	MG RESISTOR 0Ω, 1/16W
		R106	NRSA63J-561X	MG RESISTOR 560Ω, 1/16W			R175	NRSA63J-105X	MG RESISTOR 1MΩ, 1/16W
		R107	NRVA63D-153X	CMF RESISTOR 15kΩ, 1/16W			R176	NRSA63J-221X	MG RESISTOR 220Ω, 1/16W
		R108	NRVA63D-243X	CMF RESISTOR 24kΩ, 1/16W			R180	NRSA63J-331X	MG RESISTOR 330Ω, 1/16W
		R109	NRVA63D-183X	CMF RESISTOR 18kΩ, 1/16W			R182	NRSA63J-222X	MG RESISTOR 2.2kΩ, 1/16W
		R110	NRSA63J-103X	MG RESISTOR 10kΩ, 1/16W			R183	NRSA63J-222X	MG RESISTOR 2.2kΩ, 1/16W
		R111	NRSA63J-273X	MG RESISTOR 27kΩ, 1/16W			R184	NRSA63J-222X	MG RESISTOR 2.2kΩ, 1/16W
		R112	NRSA63J-331X	MG RESISTOR 330Ω, 1/16W			R188	NRSA63J-222X	MG RESISTOR 2.2kΩ, 1/16W
		R113	NRSA63J-562X	MG RESISTOR 5.6kΩ, 1/16W			R190	NRSA63J-331X	MG RESISTOR 330Ω, 1/16W
		R114	NRSA63J-821X	MG RESISTOR 820Ω, 1/16W			R191	NRSA63J-0R0X	MG RESISTOR 0Ω, 1/16W
		R115	NRSA63J-101X	MG RESISTOR 100Ω, 1/16W			R192	NRSA63J-105X	MG RESISTOR 1MΩ, 1/16W
		R116	NRSA63J-102X	MG RESISTOR 1kΩ, 1/16W			R195	NRSA63J-0R0X	MG RESISTOR 0Ω, 1/16W
		R118	NRSA63J-103X	MG RESISTOR 10kΩ, 1/16W			R504	NRSA63J-221X	MG RESISTOR 220Ω, 1/16W
		R119	NRSA63J-103X	MG RESISTOR 10kΩ, 1/16W			R505	NRSA63J-331X	MG RESISTOR 330Ω, 1/16W
		R120	NRSA63J-273X	MG RESISTOR 27kΩ, 1/16W			R1601	NRV142F-R33X	CMF RESISTOR 0.33Ω, 1/4W
		R121	NRSA63J-273X	MG RESISTOR 27kΩ, 1/16W			R1602	NRV142F-R33X	CMF RESISTOR 0.33Ω, 1/4W
		R122	NRSA63J-393X	MG RESISTOR 39kΩ, 1/16W			R1603	NRSA63J-154X	MG RESISTOR 150kΩ, 1/16W
		R123	NRSA63J-104X	MG RESISTOR 100kΩ, 1/16W			R1604	NRSA63J-102X	MG RESISTOR 1kΩ, 1/16W
		R124	NRSA63J-104X	MG RESISTOR 100kΩ, 1/16W			R1605	NRSA63J-102X	MG RESISTOR 1kΩ, 1/16W
		R125	NRSA63J-273X	MG RESISTOR 27kΩ, 1/16W			R1606	NRSA63J-102X	MG RESISTOR 1kΩ, 1/16W
		R126	NRSA63J-153X	MG RESISTOR 15kΩ, 1/16W			R1607	NRSA63J-104X	MG RESISTOR 100kΩ, 1/16W
		R127	NRSA63J-221X	MG RESISTOR 220Ω, 1/16W			R1608	NRSA63J-104X	MG RESISTOR 100kΩ, 1/16W
		R128	NRSA63J-102X	MG RESISTOR 1kΩ, 1/16W			R1609	NRSA63J-333X	MG RESISTOR 33kΩ, 1/16W
		R129	NRSA63J-102X	MG RESISTOR 1kΩ, 1/16W			R1610	NRSA63J-103X	MG RESISTOR 10kΩ, 1/16W
		R130	NRSA63J-105X	MG RESISTOR 1MΩ, 1/16W			R1612	NRSA63J-392X	MG RESISTOR 3.9kΩ, 1/16W
		R131	NRSA63J-105X	MG RESISTOR 1MΩ, 1/16W			R1613	NRSA63J-104X	MG RESISTOR 100kΩ, 1/16W
		R132	NRSA63J-105X	MG RESISTOR 1MΩ, 1/16W			R1614	NRSA63J-333X	MG RESISTOR 33kΩ, 1/16W
		R133	NRSA63J-105X	MG RESISTOR 1MΩ, 1/16W			R1615	NRSA63J-103X	MG RESISTOR 10kΩ, 1/16W
		R134	NRSA63J-105X	MG RESISTOR 1MΩ, 1/16W			R1617	NRSA63J-183X	MG RESISTOR 18kΩ, 1/16W
		R135	NRSA63J-104X	MG RESISTOR 100kΩ, 1/16W			R1618	NRSA63J-154X	MG RESISTOR 150kΩ, 1/16W
		R136	NRSA63J-474X	MG RESISTOR 470kΩ, 1/16W			R1619	NRSA63J-471X	MG RESISTOR 470Ω, 1/16W
		R138	NRSA63J-333X	MG RESISTOR 33kΩ, 1/16W			R1620	NRSA63J-684X	MG RESISTOR 680kΩ, 1/16W
		R139	NRSA63J-104X	MG RESISTOR 100kΩ, 1/16W			R1621	NRSA63J-102X	MG RESISTOR 1kΩ, 1/16W
		R140	NRSA63J-753X	MG RESISTOR 75kΩ, 1/16W			R1622	NRSA63J-224X	MG RESISTOR 220kΩ, 1/16W
		R141	NRSA63J-334X	MG RESISTOR 330kΩ, 1/16W			R1623	NRSA63J-223X	MG RESISTOR 22kΩ, 1/16W
		R142	NRSA63J-103X	MG RESISTOR 10kΩ, 1/16W			R1624	NRSA63J-104X	MG RESISTOR 100kΩ, 1/16W
		R143	NRSA63J-105X	MG RESISTOR 1MΩ, 1/16W			R1625	NRSA63J-104X	MG RESISTOR 100kΩ, 1/16W
		R144	NRSA63J-221X	MG RESISTOR 220Ω, 1/16W			R1626	NRSA63J-104X	MG RESISTOR 100kΩ, 1/16W
		R145	NRSA63J-222X	MG RESISTOR 2.2kΩ, 1/16W			R1628	NRSA63J-0R0X	MG RESISTOR 0Ω, 1/16W
		R146	NRSA63J-474X	MG RESISTOR 470kΩ, 1/16W			R1629	NRSA63J-0R0X	MG RESISTOR 0Ω, 1/16W

#	△ REF No.	PART No.	PART NAME, DESCRIPTION	#	△ REF No.	PART No.	PART NAME, DESCRIPTION
R1630		NRSA63J-0R0X	MG RESISTOR 0Ω, 1/16W	R3903		NRSA63J-182X	MG RESISTOR 1.8kΩ, 1/16W
R1631		NRSA63J-122X	MG RESISTOR 1.2kΩ, 1/16W	R4001		NRSA63J-113X	MG RESISTOR 11kΩ, 1/16W
R1632		NRSA63J-153X	MG RESISTOR 15kΩ, 1/16W	R4002		NRSA63J-123X	MG RESISTOR 12kΩ, 1/16W
R1633		NRSA63J-683X	MG RESISTOR 68kΩ, 1/16W	R4003		NRSA63J-153X	MG RESISTOR 15kΩ, 1/16W
R2001		NRSA63J-104X	MG RESISTOR 100kΩ, 1/16W	R4004		NRSA63J-103X	MG RESISTOR 10kΩ, 1/16W
R2002		NRSA63J-332X	MG RESISTOR 3.3kΩ, 1/16W	R4006		NRVA63D-103X	CMF RESISTOR 10kΩ, 1/16W
R2003		NRSA63J-102X	MG RESISTOR 1kΩ, 1/16W	R4007		NRVA63D-392X	CMF RESISTOR 3.9kΩ, 1/16W
R2004		NRSA63J-681X	MG RESISTOR 680Ω, 1/16W	R4008		NRVA63D-272X	CMF RESISTOR 2.7kΩ, 1/16W
R2005		NRSA63J-272X	MG RESISTOR 2.7kΩ, 1/16W	R4009		NRVA63D-152X	CMF RESISTOR 1.5kΩ, 1/16W
R2006		NRSA63J-102X	MG RESISTOR 1kΩ, 1/16W	R4010		NRVA63D-122X	CMF RESISTOR 1.2kΩ, 1/16W
R2011		NRSA63J-101X	MG RESISTOR 100Ω, 1/16W	R4011		NRVA63D-152X	CMF RESISTOR 1.5kΩ, 1/16W
R2012		NRSA63J-101X	MG RESISTOR 100Ω, 1/16W	R4012		NRVA63D-122X	CMF RESISTOR 1.2kΩ, 1/16W
R2021		NRSA63J-103X	MG RESISTOR 10kΩ, 1/16W	R4013		NRVA63D-152X	CMF RESISTOR 1.5kΩ, 1/16W
R2022		NRSA63J-334X	MG RESISTOR 330kΩ, 1/16W	R4014		NRVA63D-122X	CMF RESISTOR 1.2kΩ, 1/16W
R2023		NRSA63J-820X	MG RESISTOR 82Ω, 1/16W	R4036		NRSA63J-0R0X	MG RESISTOR 0Ω, 1/16W
R2024		NRVA63D-183X	CMF RESISTOR 18kΩ, 1/16W	R4037		NRSA63J-102X	MG RESISTOR 1kΩ, 1/16W
R2025		NRSA63J-823X	MG RESISTOR 82kΩ, 1/16W	R4201		NRSA63J-103X	MG RESISTOR 10kΩ, 1/16W
R2026		NRSA63J-0R0X	MG RESISTOR 0Ω, 1/16W	R4202		NRSA63J-563X	MG RESISTOR 56kΩ, 1/16W
R2027		NRSA63J-102X	MG RESISTOR 1kΩ, 1/16W	R4203		NRSA63J-103X	MG RESISTOR 10kΩ, 1/16W
R2028		NRSA63J-102X	MG RESISTOR 1kΩ, 1/16W	R4204		NRSA63J-331X	MG RESISTOR 330Ω, 1/16W
R2029		NRSA63J-0R0X	MG RESISTOR 0Ω, 1/16W	R4205		NRSA63J-105X	MG RESISTOR 1MΩ, 1/16W
R2030		NRSA63J-104X	MG RESISTOR 100kΩ, 1/16W	R4206		NRSA63J-103X	MG RESISTOR 10kΩ, 1/16W
R2031		NRSA63J-332X	MG RESISTOR 3.3kΩ, 1/16W	R4207		NRSA63J-104X	MG RESISTOR 100kΩ, 1/16W
R2032		NRSA63J-270X	MG RESISTOR 27Ω, 1/16W	R4208		NRSA63J-472X	MG RESISTOR 4.7kΩ, 1/16W
R2051		NRSA63J-102X	MG RESISTOR 1kΩ, 1/16W	R4209		NRSA63J-104X	MG RESISTOR 100kΩ, 1/16W
R2071		NRSA63J-473X	MG RESISTOR 47kΩ, 1/16W	R4210		NRSA63J-105X	MG RESISTOR 1MΩ, 1/16W
R2072		NRSA63J-562X	MG RESISTOR 5.6kΩ, 1/16W	R4211		NRSA63J-243X	MG RESISTOR 24kΩ, 1/16W
R2401		NRSA63J-683X	MG RESISTOR 68kΩ, 1/16W	R4214		NRSA63J-472X	MG RESISTOR 4.7kΩ, 1/16W
R2402		NRSA63J-122X	MG RESISTOR 1.2kΩ, 1/16W	R4215		NRSA63J-683X	MG RESISTOR 68kΩ, 1/16W
R2403		NRSA63J-2R2X	MG RESISTOR 2.2Ω, 1/16W	R4216		NRSA63J-103X	MG RESISTOR 10kΩ, 1/16W
R2404		NRSA63J-2R2X	MG RESISTOR 2.2Ω, 1/16W	R4217		NRSA63J-102X	MG RESISTOR 1kΩ, 1/16W
R2405		NRSA63J-473X	MG RESISTOR 47kΩ, 1/16W	R4218		NRSA63J-102X	MG RESISTOR 1kΩ, 1/16W
R2406		NRSA63J-473X	MG RESISTOR 47kΩ, 1/16W	R4219		NRSA63J-104X	MG RESISTOR 100kΩ, 1/16W
R3001		NRSA63J-105X	MG RESISTOR 1MΩ, 1/16W	R4220		NRSA63J-152X	MG RESISTOR 1.5kΩ, 1/16W
R3002		NRVA63D-471X	CMF RESISTOR 470Ω, 1/16W	R4221		NRSA63J-334X	MG RESISTOR 330kΩ, 1/16W
R3004		NRVA63D-333X	CMF RESISTOR 33kΩ, 1/16W	R4222		NRSA63J-154X	MG RESISTOR 150kΩ, 1/16W
R3006		NRVA63D-561X	CMF RESISTOR 560Ω, 1/16W	R4223		NRSA63J-333X	MG RESISTOR 33kΩ, 1/16W
R3007		NRVA63D-183X	CMF RESISTOR 18kΩ, 1/16W	R4224		NRSA63J-223X	MG RESISTOR 22kΩ, 1/16W
R3008		NRSA63J-393X	MG RESISTOR 39kΩ, 1/16W	R4251		NRSA63J-182X	MG RESISTOR 1.8kΩ, 1/16W
R3009		NRSA63J-272X	MG RESISTOR 2.7kΩ, 1/16W	R4252		NRSA63J-103X	MG RESISTOR 10kΩ, 1/16W
R3010		NRSA63J-332X	MG RESISTOR 3.3kΩ, 1/16W	R4253		NRSA63J-103X	MG RESISTOR 10kΩ, 1/16W
R3014		NRSA63J-681X	MG RESISTOR 680Ω, 1/16W	R4254		NRSA63J-684X	MG RESISTOR 680kΩ, 1/16W
R3015		NRSA63J-332X	MG RESISTOR 3.3kΩ, 1/16W	R4255		NRSA63J-222X	MG RESISTOR 2.2kΩ, 1/16W
R3016		NRSA63J-332X	MG RESISTOR 3.3kΩ, 1/16W	R4256		NRSA63J-824X	MG RESISTOR 820kΩ, 1/16W
R3018		NRSA63J-271X	MG RESISTOR 270Ω, 1/16W	R4257		NRSA63J-822X	MG RESISTOR 8.2kΩ, 1/16W
R3023		NRSA63J-331X	MG RESISTOR 330Ω, 1/16W	R4258		NRSA63J-104X	MG RESISTOR 100kΩ, 1/16W
R3027		NRSA63J-103X	MG RESISTOR, B,C 10kΩ, 1/16W	R4259		NRSA63J-683X	MG RESISTOR 68kΩ, 1/16W
R3028		NRVA63D-472X	CMF RESISTOR 4.7kΩ, 1/16W	R4262		NRSA63J-302X	MG RESISTOR 3kΩ, 1/16W
R3029		NRSA63J-0R0X	MG RESISTOR 0Ω, 1/16W	△ R4501		NRSA63J-6R8X	MG RESISTOR 6.8Ω, 1/16W
R3030		NRSA63J-561X	MG RESISTOR 560Ω, 1/16W	△ R4502		NRSA63J-6R8X	MG RESISTOR 6.8Ω, 1/16W
R3034		NRSA63J-220X	MG RESISTOR 22Ω, 1/16W	△ R4503		NRSA63J-6R8X	MG RESISTOR 6.8Ω, 1/16W
R3038		NRSA63J-392X	MG RESISTOR 3.9kΩ, 1/16W	△ R4504		NRSA63J-6R8X	MG RESISTOR 6.8Ω, 1/16W
R3501		NRSA63J-221X	MG RESISTOR 220Ω, 1/16W	R4505		NRSA63J-271X	MG RESISTOR 270Ω, 1/16W
R3502		NRSA63J-102X	MG RESISTOR 1kΩ, 1/16W	R4507		NRSA63J-103X	MG RESISTOR 10kΩ, 1/16W
R3504		NRSA63J-102X	MG RESISTOR 1kΩ, 1/16W	R4508		NRSA63J-103X	MG RESISTOR 10kΩ, 1/16W
R3505		NRSA63J-102X	MG RESISTOR 1kΩ, 1/16W	R4514		NRSA63J-223X	MG RESISTOR 22kΩ, 1/16W
R3506		NRSA63J-102X	MG RESISTOR 1kΩ, 1/16W	R4515		NRSA63J-182X	MG RESISTOR 1.8kΩ, 1/16W
R3507		NRSA63J-101X	MG RESISTOR 100Ω, 1/16W	R4701		NRSA63J-0R0X	MG RESISTOR, A 0Ω, 1/16W
R3508		NRSA63J-153X	MG RESISTOR 15kΩ, 1/16W	R4702		NRSA63J-101X	MG RESISTOR, B,C 100Ω, 1/16W
R3901		NRSA63J-100X	MG RESISTOR 10Ω, 1/16W			NRSA63J-750X	MG RESISTOR, A 75Ω, 1/16W
R3902		NRSA63J-101X	MG RESISTOR 100Ω, 1/16W	R4703		NRVA63D-561X	CMF RESISTOR 560Ω, 1/16W

#	△	REF No.	PART No.	PART NAME, DESCRIPTION		#	△	REF No.	PART No.	PART NAME, DESCRIPTION	
R4704			NRVA63D-272X	CMF RESISTOR	2.7kΩ,1/16W	R6107			NRSA63J-222X	MG RESISTOR	2.2kΩ,1/16W
R4705			NRVA63D-472X	CMF RESISTOR	4.7kΩ,1/16W	R6108			NRVA63D-153X	CMF RESISTOR	15kΩ,1/16W
R4706			NRSA63J-681X	MG RESISTOR	680Ω,1/16W	R6109			NRVA63D-103X	CMF RESISTOR	10kΩ,1/16W
R4707			NRSA63J-122X	MG RESISTOR	1.2kΩ,1/16W	R6110			NRSA63J-0R0X	MG RESISTOR	0Ω,1/16W
R4708			NRSA63J-104X	MG RESISTOR	100kΩ,1/16W	R6203			NRVA63D-103X	CMF RESISTOR	10kΩ,1/16W
R4709			NRSA63J-332X	MG RESISTOR	3.3kΩ,1/16W	R6204			NRVA63D-103X	CMF RESISTOR	10kΩ,1/16W
R4710			NRSA63J-332X	MG RESISTOR	3.3kΩ,1/16W	R6303			NRVA63D-183X	CMF RESISTOR	18kΩ,1/16W
R4711			NRSA63J-151X	MG RESISTOR,B,C	150Ω,1/16W	R6304			NRVA63D-472X	CMF RESISTOR	4.7kΩ,1/16W
R4712			NRVA63D-511X	CMF RESISTOR,B,C	510Ω,1/16W	R6306			NRS12BK-R47W	MG RESISTOR	0.47Ω,1/2W
R4713			NRSA63J-681X	MG RESISTOR,B,C	680Ω,1/16W	R6307			NRSA63J-104X	MG RESISTOR,B,C	100kΩ,1/16W
R4714			NRSA63J-122X	MG RESISTOR,B,C	1.2kΩ,1/16W	R6309			NRSA63J-103X	MG RESISTOR	10kΩ,1/16W
R4715			NRSA63J-0R0X	MG RESISTOR,B,C	0Ω,1/16W	R6310			NRSA63J-152X	MG RESISTOR	1.5kΩ,1/16W
R4716			NRVA63D-621X	CMF RESISTOR,B,C	620Ω,1/16W	R6311			NRSA63J-473X	MG RESISTOR	47kΩ,1/16W
R4717			NRVA63D-222X	CMF RESISTOR,B,C	2.2kΩ,1/16W	R6403			NRSA63J-473X	MG RESISTOR	47kΩ,1/16W
R4718			NRSA63J-104X	MG RESISTOR,B,C	100kΩ,1/16W	R6404			NRSA63J-302X	MG RESISTOR	3kΩ,1/16W
R4719			NRSA63J-222X	MG RESISTOR,B,C	2.2kΩ,1/16W	R6406			NRSA63J-183X	MG RESISTOR	18kΩ,1/16W
R4720			NRSA63J-0R0X	MG RESISTOR,A	0Ω,1/16W	R6407			NRSA63J-823X	MG RESISTOR	82kΩ,1/16W
R4721			NRVA63D-750X	CMF RESISTOR,B,C	75Ω,1/16W	R6503			NRSA63J-243X	MG RESISTOR	24kΩ,1/16W
R4722			NRVA63D-680X	CMF RESISTOR,B,C	68Ω,1/16W	R6504			NRSA63J-332X	MG RESISTOR	3.3kΩ,1/16W
			NRVA63D-750X	MG RESISTOR,A	75Ω,1/16W	R6506			NRSA63J-223X	MG RESISTOR	22kΩ,1/16W
R4723			NRVA63D-680X	CMF RESISTOR,B,C	68Ω,1/16W	R6507			NRSA63J-823X	MG RESISTOR	82kΩ,1/16W
R4735			NRSA63J-332X	MG RESISTOR,B,C	3.3kΩ,1/16W	R6603			NRVA63D-683X	CMF RESISTOR	68kΩ,1/16W
R4736			NRSA63J-332X	MG RESISTOR,B,C	3.3kΩ,1/16W	R6604			NRVA63D-392X	CMF RESISTOR	3.9kΩ,1/16W
R4737			NRSA63J-104X	MG RESISTOR,B,C	100kΩ,1/16W	R6605			NRSA63J-274X	MG RESISTOR	270kΩ,1/16W
R4738			NRSA63J-332X	MG RESISTOR,B,C	3.3kΩ,1/16W	R6606			NRSA63J-272X	MG RESISTOR	2.7kΩ,1/16W
R4739			NRSA63J-332X	MG RESISTOR,B,C	3.3kΩ,1/16W	R6612			NRSA63J-823X	MG RESISTOR	82kΩ,1/16W
R4741			NRVA63D-152X	CMF RESISTOR,B,C	1.5kΩ,1/16W	R6613			NRSA63J-104X	MG RESISTOR	100kΩ,1/16W
R4743			NRVA63D-153X	CMF RESISTOR,B,C	15kΩ,1/16W	R6614			NRSA63J-472X	MG RESISTOR	4.7kΩ,1/16W
R4744			NRVA63D-222X	CMF RESISTOR,B,C	2.2kΩ,1/16W	R6616			NRSA63J-222X	MG RESISTOR	2.2kΩ,1/16W
R4745			NRSA63J-471X	MG RESISTOR,B,C	470Ω,1/16W	R6622			NRVA63D-104X	CMF RESISTOR	100kΩ,1/16W
R4746			NRVA63D-222X	CMF RESISTOR,B,C	2.2kΩ,1/16W	R6623			NRVA63D-473X	CMF RESISTOR	47kΩ,1/16W
R4747			NRVA63D-471X	CMF RESISTO,B,C	470Ω,1/16W	R6624			NRSA63J-273X	MG RESISTOR	27kΩ,1/16W
R4748			NRVA63D-333X	CMF RESISTOR,A	33kΩ,1/16W	R6625			NRSA63J-822X	MG RESISTOR	8.2kΩ,1/16W
R5201			NRSA63J-243X	MG RESISTOR	24kΩ,1/16W	R6626			NRVA63D-563X	CMF RESISTOR	56kΩ,1/16W
R5202			NRSA63J-220X	MG RESISTOR	22Ω,1/16W	R6627			NRVA63D-363X	CMF RESISTOR	36kΩ,1/16W
R5203			NRSA63J-0R0X	MG RESISTOR	0Ω,1/16W	R6701			NRSA63J-680X	MG RESISTOR	68Ω,1/16W
R5212			NRSA63J-101X	MG RESISTOR	100Ω,1/16W	R6702			NRSA63J-221X	MG RESISTOR	220Ω,1/16W
R5213			NRSA63J-101X	MG RESISTOR	100Ω,1/16W	R6704			NRVA63D-472X	CMF RESISTOR	4.7kΩ,1/16W
R5214			NRSA63J-101X	MG RESISTOR	100Ω,1/16W	R6706			NRZ0058-R20X	MG RESISTOR	0.2Ω,1/2W
R5215			NRSA63J-104X	MG RESISTOR	100kΩ,1/16W	R6707			NRS016J-121X	MG RESISTOR	120Ω,1W
R5216			NRSA63J-100X	MG RESISTOR	10Ω,1/16W	R6708			NRS016J-121X	MG RESISTOR	120Ω,1W
R5217			NRSA63J-104X	MG RESISTOR	100kΩ,1/16W	R6709			NRS016J-121X	MG RESISTOR	120Ω,1W
R5218			NRSA63J-0R0X	MG RESISTOR	0Ω,1/16W	R6710			NRVA63D-823X	CMF RESISTOR	82kΩ,1/16W
R5220			NRSA63J-0R0X	MG RESISTOR	0Ω,1/16W	R6711			NRVA63D-333X	CMF RESISTOR	33kΩ,1/16W
R6001			NRSA63J-104X	MG RESISTOR	100kΩ,1/16W	R6712			NRSA63J-222X	MG RESISTOR	2.2kΩ,1/16W
R6002			NRSA63J-333X	MG RESISTOR	33kΩ,1/16W	R6713			NRSA63J-562X	MG RESISTOR	5.6kΩ,1/16W
R6003			NRVA63D-912X	CMF RESISTOR	9.1kΩ,1/16W	R6801			NRSA63J-102X	MG RESISTOR	1kΩ,1/16W
R6004			NRVA63D-471X	CMF RESISTOR	470Ω,1/16W	R6803			NRVA63D-223X	CMF RESISTOR	22kΩ,1/16W
R6005			NRVA63D-183X	CMF RESISTOR	18kΩ,1/16W	R6804			NRVA63D-103X	CMF RESISTOR	10kΩ,1/16W
R6006			NRSA63J-472X	MG RESISTOR	4.7kΩ,1/16W	R6810			NRSA63J-0R0X	MG RESISTOR	0Ω,1/16W
R6008			NRVA63D-183X	CMF RESISTOR	18kΩ,1/16W	R6811			NRSA63J-102X	MG RESISTOR	1kΩ,1/16W
R6009			NRSA63J-224X	MG RESISTOR	220kΩ,1/16W	R6813			NRVA63D-104X	CMF RESISTOR	100kΩ,1/16W
R6010			NRSA63J-473X	MG RESISTOR	47kΩ,1/16W	R6814			NRVA63D-683X	CMF RESISTOR	68kΩ,1/16W
R6011			NRSA63J-473X	MG RESISTOR	47kΩ,1/16W	R6820			NRSA63J-102X	MG RESISTOR	1kΩ,1/16W
R6012			NRSA63J-103X	MG RESISTOR	10kΩ,1/16W	R7010			NRSA63J-0R0X	MG RESISTOR	0Ω,1/16W
R6015			NRSA63J-104X	MG RESISTOR	100kΩ,1/16W	R7021			NRSA63J-0R0X	MG RESISTOR,C	0Ω,1/16W
R6016			NRSA63J-104X	MG RESISTOR	100kΩ,1/16W	R7029			NRSA63J-0R0X	MG RESISTOR,C	0Ω,1/16W
R6019			NRSA63J-222X	MG RESISTOR	2.2kΩ,1/16W	R7031			NRSA63J-474X	MG RESISTOR	470kΩ,1/16W
R6103			NRVA63D-223X	CMF RESISTOR	22kΩ,1/16W	R7032			NRSA63J-223X	MG RESISTOR	22kΩ,1/16W
R6104			NRVA63D-103X	CMF RESISTOR	10kΩ,1/16W	R7033			NRSA63J-104X	MG RESISTOR	100kΩ,1/16W
R6106			NRSA63J-333X	MG RESISTOR	33kΩ,1/16W	R7035			NRSA63J-103X	MG RESISTOR	10kΩ,1/16W

#	△ REF No.	PART No.	PART NAME, DESCRIPTION		#	△ REF No.	PART No.	PART NAME, DESCRIPTION	
R7040		NRVA63D-333X	CMF RESISTOR	33kΩ, 1/16W	C109		NBE41AM-106X	T CAPACITOR	10μF, 10V
R7042		NRVA63D-123X	CMF RESISTOR	12kΩ, 1/16W	C110		NDC31HJ-101X	CAPACITOR	100pF, 50V
R7043		NRVA63D-123X	CMF RESISTOR	12kΩ, 1/16W	C111		NEA70JM-226X	E CAPACITOR	22μF, 6.3V
R7044		NRVA63D-432X	CMF RESISTOR, C	4.3kΩ, 1/16W	C112		NEA70JM-226X	E CAPACITOR	22μF, 6.3V
		NRVA63D-752X	CMF RESISTOR, A, B	7.5kΩ, 1/16W	C113		NCB31EK-103X	CAPACITOR	0.01μF, 25V
R7045		NRVA63D-103X	CMF RESISTOR	10kΩ, 1/16W	C114		NCB31EK-103X	CAPACITOR	0.01μF, 25V
R7046		NRSA63J-103X	MG RESISTOR, A, B	10kΩ, 1/16W	C115		NCF31EZ-104X	CAPACITOR	0.1μF, 25V
R7049		NRSA63J-680X	MG RESISTOR	68Ω, 1/16W	C116		NCB31EK-103X	CAPACITOR	0.01μF, 25V
R7050		NRSA63J-680X	MG RESISTOR	68Ω, 1/16W	C118		NCF31EZ-104X	CAPACITOR	0.1μF, 25V
R7051		NRSA63J-680X	MG RESISTOR	68Ω, 1/16W	C119		NCB31EK-103X	CAPACITOR	0.01μF, 25V
R7057		NRSA63J-0R0X	MG RESISTOR	0Ω, 1/16W	C120		NCB31EK-103X	CAPACITOR	0.01μF, 25V
R7067		NRSA63J-223X	MG RESISTOR, A, B	22kΩ, 1/16W	C121		NCF31EZ-104X	CAPACITOR	0.1μF, 25V
		NRSA63J-682X	MG RESISTOR, C	6.8kΩ, 1/16W	C122		NCF31EZ-104X	CAPACITOR	0.1μF, 25V
R7068		NRSA63J-223X	MG RESISTOR	22kΩ, 1/16W	C123		NDC31HJ-100X	CAPACITOR	10pF, 50V
R7069		NRSA63J-223X	MG RESISTOR	22kΩ, 1/16W	C124		NDC31HJ-100X	CAPACITOR	10pF, 50V
R7070		NRSA63J-223X	MG RESISTOR	22kΩ, 1/16W	C125		NCB31EK-103X	CAPACITOR	0.01μF, 25V
R7071		NRSA63J-223X	MG RESISTOR	22kΩ, 1/16W	C126		NDC31HJ-120X	CAPACITOR	12pF, 50V
R7072		NRSA02J-122X	MG RESISTOR, C	1.2kΩ, 1/10W	C127		NCB31CK-333X	CAPACITOR	0.033μF, 16V
		NRSA02J-182X	MG RESISTOR, A, B	1.8kΩ, 1/10W	C128		NCB21CK-474X	CAPACITOR	0.47μF, 16V
R7073		NRSA02J-331X	MG RESISTOR, A, B	330Ω, 1/10W	C129		NCB31CK-333X	CAPACITOR	0.033μF, 16V
		NRSA02J-821X	MG RESISTOR, C	820Ω, 1/10W	C131		NCF31EZ-104X	CAPACITOR	0.1μF, 25V
R7074		NRSA63J-103X	MG RESISTOR	10kΩ, 1/16W	C132		NCF31EZ-104X	CAPACITOR	0.1μF, 25V
R7077		NRVA63D-682X	CMF RESISTOR	6.8kΩ, 1/16W	C133		NCF31EZ-104X	CAPACITOR	0.1μF, 25V
R7083		NRSA63J-105X	MG RESISTOR	1MΩ, 1/16W	C134		NCF31EZ-104X	CAPACITOR	0.1μF, 25V
R7086		NRVA63D-123X	CMF RESISTOR	12kΩ, 1/16W	C1201		NCB31HK-102X	CAPACITOR	0.001μF, 50V
R7091		NRVA63D-123X	CMF RESISTOR	12kΩ, 1/16W	C1202		NBE20JM-106X	T CAPACITOR	10μF, 6.3V
R7093		NRVA63D-223X	CMF RESISTOR	22kΩ, 1/16W	C1205		NCB31EK-153X	CAPACITOR	0.015μF, 25V
R7096		NRVA63D-123X	CMF RESISTOR	12kΩ, 1/16W	C1206		NBE20JM-106X	T CAPACITOR	10μF, 6.3V
R7110		NRSA63J-105X	MG RESISTOR	1MΩ, 1/16W	C1601		NCB31EK-103X	CAPACITOR	0.01μF, 25V
R7112		NRVA63D-332X	CMF RESISTOR	3.3kΩ, 1/16W	C1602		NCB21CK-224X	CAPACITOR	0.22μF, 16V
R7114		NRVA63D-223X	CMF RESISTOR	22kΩ, 1/16W	C1603		NCB31CK-223X	CAPACITOR	0.022μF, 16V
R7116		NRVA63D-332X	CMF RESISTOR	3.3kΩ, 1/16W	C1604		NCB31CK-223X	CAPACITOR	0.022μF, 16V
R7118		NRVA63D-223X	CMF RESISTOR	22kΩ, 1/16W	C1605		NCB31CK-223X	CAPACITOR	0.022μF, 16V
R7120		NRVA63D-332X	CMF RESISTOR	3.3kΩ, 1/16W	C1606		NCB31CK-104X	CAPACITOR	0.1μF, 16V
R7122		NRVA63D-223X	CMF RESISTOR	22kΩ, 1/16W	C1607		NCB31CK-104X	CAPACITOR	0.1μF, 16V
R7124		NRVA63D-103X	CMF RESISTOR	10kΩ, 1/16W	C1608		NCB31CK-683X	CAPACITOR	0.068μF, 16V
R7127		NRVA63D-103X	CMF RESISTOR	10kΩ, 1/16W	C1609		NCB31CK-104X	CAPACITOR	0.1μF, 16V
R7128		NRVA63D-103X	CMF RESISTOR	10kΩ, 1/16W	C1610		NCB31CK-104X	CAPACITOR	0.1μF, 16V
R7129		NRVA63D-103X	CMF RESISTOR	10kΩ, 1/16W	C1611		NCB31CK-104X	CAPACITOR	0.1μF, 16V
R7130		NRVA63D-103X	CMF RESISTOR	10kΩ, 1/16W	C1612		NDC31HJ-331X	CAPACITOR	330pF, 50V
R7131		NRVA63D-103X	CMF RESISTOR	10kΩ, 1/16W	C1613		NCB21CK-334X	CAPACITOR	0.33μF, 16V
R7132		NRVA63D-103X	CMF RESISTOR	10kΩ, 1/16W	C1614		NBE41AM-226X	T CAPACITOR	22μF, 10V
R7139		NRVA63D-911X	CMF RESISTOR	910Ω, 1/16W	C1615		NCB31HK-681X	CAPACITOR	680pF, 50V
R7142		NRSA63J-0R0X	MG RESISTOR, C	0Ω, 1/16W	C1616		NCB21CK-474X	CAPACITOR	0.47μF, 16V
R7143		NRSA63J-0R0X	MG RESISTOR, A, B	0Ω, 1/16W	C1617		NCB31HK-152X	CAPACITOR	0.0015μF, 50V
RA101		NRZ0038-222X	NETWORK RESISTOR	2.2kΩ	C1618		NBE21AM-106X	T CAPACITOR	10μF, 10V
RA102		NRZ0038-222X	NETWORK RESISTOR	2.2kΩ	C1619		NCB31CK-223X	CAPACITOR	0.022μF, 16V
RA103		NRZ0038-222X	NETWORK RESISTOR	2.2kΩ	C1620		NCB31HK-472X	CAPACITOR	0.0047μF, 50V
RA104		NRZ0038-222X	NETWORK RESISTOR	2.2kΩ	C1621		NBP41CM-106X	T CAPACITOR	10μF, 16V
RA105		NRZ0038-473X	NETWORK RESISTOR	47kΩ	C2001		NBE20JM-106X	T CAPACITOR	10μF, 6.3V
RA106		NRZ0037-331X	NETWORK RESISTOR	330Ω	C2002		NFV41HJ-183X	MPPS CAPACITOR	0.018μF, 50V
RA107		NRZ0034-102W	NETWORK RESISTOR	1kΩ	C2003		NDC31HJ-331X	CAPACITOR	330pF, 50V
RA108		NRZ0034-102W	NETWORK RESISTOR	1kΩ	C2004		NBE20JM-226X	T CAPACITOR	22μF, 6.3V
RA109		NRZ0038-474X	NETWORK RESISTOR	470kΩ	C2005		NCB21CK-105X	CAPACITOR	1μF, 16V
C102		NCF31EZ-104X	CAPACITOR	0.1μF, 25V	C2021		NCB31EK-103X	CAPACITOR	0.01μF, 25V
C103		NBE41AM-106X	T CAPACITOR	10μF, 10V	C2022		NBE20JM-156X	T CAPACITOR	15μF, 6.3V
C104		NCB31EK-103X	CAPACITOR	0.01μF, 25V	C2023		NBP21CM-105X	T CAPACITOR	1μF, 16V
C105		NCB31CK-104X	CAPACITOR	0.1μF, 16V	C2024		NCB31HK-102X	CAPACITOR	0.001μF, 50V
C106		NCF31EZ-104X	CAPACITOR	0.1μF, 25V	C2025		NCB30JK-105X	CAPACITOR	1μF, 6.3V
C107		NCB31EK-103X	CAPACITOR	0.01μF, 25V	C2026		NCB31HK-222X	CAPACITOR	0.0022μF, 50V
C108		NBE21AM-225X	T CAPACITOR	2.2μF, 10V	C2027		NCB30JK-474X	CAPACITOR	0.47μF, 6.3V

# ▲ REF No.	PART No.	PART NAME, DESCRIPTION	# ▲ REF No.	PART No.	PART NAME, DESCRIPTION
C2028	NCB30JK-105X	CAPACITOR 1μF,6.3V	C4029	NCF31EZ-104X	CAPACITOR 0.1μF,25V
C2029	NCB30JK-105X	CAPACITOR 1μF,6.3V	C4030	NCF31EZ-104X	CAPACITOR 0.1μF,25V
C2031	NCB31CK-104X	CAPACITOR 0.1μF,16V	C4036	NCF31EZ-104X	CAPACITOR 0.1μF,25V
C2032	NCB31HK-472X	CAPACITOR 0.0047μF,50V	C4040	NCB21CK-105X	CAPACITOR,B,C 1μF,16V
C2033	NBE20JM-475X	T CAPACITOR 4.7μF,6.3V	C4044	NCB21CK-105X	CAPACITOR 1μF,16V
C2034	NCB31CK-104X	CAPACITOR 0.1μF,16V	C4048	NCB10JK-106X	CAPACITOR 10μF,6.3V
C2035	NBE20JM-226X	T CAPACITOR 22μF,6.3V	C4049	NDC31HJ-100X	CAPACITOR 10pF,50V
C2036	NBE20JM-106X	T CAPACITOR 10μF,6.3V	C4051	NDC31HJ-221X	CAPACITOR 220pF,50V
C2037	NBE20JM-226X	T CAPACITOR 22μF,6.3V	C4201	NEA71HM-225X	E CAPACITOR 2.2μF,50V
C2038	NCB30JK-474X	CAPACITOR 0.47μF,6.3V	C4202	NCF31EZ-104X	CAPACITOR 0.1μF,25V
C2051	NCB31EK-103X	CAPACITOR 0.01μF,25V	C4203	NCB31CK-104X	CAPACITOR 0.1μF,16V
C2071	NBE20JM-106X	T CAPACITOR 10μF,6.3V	C4205	NCB31EK-103X	CAPACITOR 0.01μF,25V
C2072	NCB31HK-222X	CAPACITOR 0.0022μF,50V	C4206	NCB31CK-104X	CAPACITOR 0.1μF,16V
C2401	NEA70GM-476X	E CAPACITOR 47μF,4.0V	C4207	NCB31EK-103X	CAPACITOR 0.01μF,25V
C2402	NBE20JM-106X	T CAPACITOR 10μF,6.3V	C4208	NCB31CK-104X	CAPACITOR 0.1μF,16V
C2403	NCB31EK-103X	CAPACITOR 0.01μF,25V	C4209	NCF21CZ-105X	CAPACITOR 1μF,16V
C2404	NCF31CZ-224X	CAPACITOR 0.22μF,16V	C4210	NEA71HM-335X	CAPACITOR 1μF,16V
C2405	NCB31CK-104X	CAPACITOR 0.1μF,16V	C4251	NEA71HM-335X	E CAPACITOR 3.3μF,50V
C2406	NCF31EZ-104X	CAPACITOR 0.1μF,25V	C4252	NCB31CK-104X	CAPACITOR 0.1μF,16V
C3002	NCB21CK-105X	CAPACITOR 1μF,16V	C4253	NCB31EK-153X	CAPACITOR 0.015μF,25V
C3003	NCB21CK-105X	CAPACITOR 1μF,16V	C4254	NCB31EK-153X	CAPACITOR 0.015μF,25V
C3004	NCF31EZ-104X	CAPACITOR 0.1μF,25V	C4256	NEA71CM-106X	E CAPACITOR 10μF,16V
C3005	NCF31EZ-104X	CAPACITOR 0.1μF,25V	C4503	NEA70JM-107X	E CAPACITOR 100μF,6.3V
C3006	NDC31HG-100X	CAPACITOR 10pF,50V	C4504	NCF31EZ-104X	CAPACITOR 0.1μF,25V
C3007	NDC31HG-100X	CAPACITOR 10pF,50V	C4505	NDC31HJ-330X	CAPACITOR 33pF,50V
C3009	NCF31EZ-104X	CAPACITOR 0.1μF,25V	C4506	NCB31HK-102X	CAPACITOR 0.001μF,50V
C3011	NCF31EZ-104X	CAPACITOR 0.1μF,25V	C4507	NCB31HK-102X	CAPACITOR 0.001μF,50V
C3012	NCF31EZ-104X	CAPACITOR 0.1μF,25V	C4508	NCB31HK-102X	CAPACITOR 0.001μF,50V
C3013	NCF31EZ-104X	CAPACITOR 0.1μF,25V	C4509	NCB31HK-102X	CAPACITOR 0.001μF,50V
C3014	NCF31EZ-104X	CAPACITOR 0.1μF,25V	C4510	NCB31CK-104X	CAPACITOR 0.1μF,16V
C3015	NCF31EZ-104X	CAPACITOR 0.1μF,25V	C4511	NCF31EZ-104X	CAPACITOR 0.1μF,25V
C3017	NCF31EZ-104X	CAPACITOR 0.1μF,25V	C4701	NBE20JM-106X	T CAPACITOR 10μF,6.3V
C3019	NCB31EK-103X	CAPACITOR 0.01μF,25V	C4702	NCF31EZ-104X	CAPACITOR 0.1μF,25V
C3020	NCB31EK-103X	CAPACITOR 0.01μF,25V	C4703	NBE20JM-106X	T CAPACITOR 10μF,6.3V
C3027	NCB31EK-103X	CAPACITOR 0.01μF,25V	C4704	NCB21CK-105X	CAPACITOR 1μF,16V
C3028	NCB31EK-103X	CAPACITOR 0.01μF,25V	C4705	NDC31HJ-820X	CAPACITOR 82pF,50V
C3033	NCB31CK-104X	CAPACITOR,B,C 0.1μF,16V	C4706	NDC31HJ-150X	CAPACITOR 15pF,50V
C3037	NDC31HJ-100X	CAPACITOR 10pF,50V	C4707	NCB21CK-105X	CAPACITOR 1μF,16V
C3506	NCB31EK-103X	CAPACITOR 0.01μF,25V	C4708	NDC31HJ-820X	CAPACITOR,B,C 82pF,50V
C3507	NCB31EK-103X	CAPACITOR 0.01μF,25V	C4709	NDC31HJ-150X	CAPACITOR,B,C 15pF,50V
C3508	NCB31EK-103X	CAPACITOR 0.01μF,25V	C4710	NCB31EK-103X	CAPACITOR,B,C 0.01μF,25V
C3509	NDC31HJ-221X	CAPACITOR 220pF,50V	C4711	NCB21CK-105X	CAPACITOR,B,C 1μF,16V
C3510	NCB31CK-104X	CAPACITOR 0.1μF,16V	C4715	NCB21CK-105X	CAPACITOR,B,C 1μF,16V
C3512	NCB10JK-106X	CAPACITOR 10μF,6.3V	C4719	NCB31EK-103X	CAPACITOR,B,C 0.01μF,25V
C3513	NCB31EK-223X	CAPACITOR 0.022μF,25V	C5203	NCB10JK-106X	CAPACITOR 10μF,6.3V
C3514	NCB21CK-105X	CAPACITOR 1μF,16V	C5207	NCB31EK-103X	CAPACITOR 0.01μF,25V
C3515	NCB31EK-103X	CAPACITOR 0.01μF,25V	C5208	NCB31EK-103X	CAPACITOR 0.01μF,25V
C3516	NDC31HJ-100X	CAPACITOR 10pF,50V	C5209	NCB31EK-103X	CAPACITOR 0.01μF,25V
C3902	NCB31EK-103X	CAPACITOR 0.01μF,25V	C5210	NCF31EZ-104X	CAPACITOR 0.1μF,25V
C3903	NDC31HJ-3R0X	CAPACITOR 3pF,50V	C5211	NCB21CK-105X	CAPACITOR 1μF,16V
C4006	NCF31EZ-104X	CAPACITOR 0.1μF,25V	C5212	NCB21CK-105X	CAPACITOR 1μF,16V
C4008	NCF31EZ-104X	CAPACITOR 0.1μF,25V	C5213	NCB31HK-332X	CAPACITOR 0.0033μF,50V
C4009	NCF31EZ-104X	CAPACITOR 0.1μF,25V	C5214	NCB31EK-103X	CAPACITOR 0.01μF,25V
C4010	NCF31EZ-104X	CAPACITOR 0.1μF,25V	C5218	NCF31EZ-104X	CAPACITOR 0.1μF,25V
C4012	NCF31EZ-104X	CAPACITOR 0.1μF,25V	C5219	NBP21CM-685X	T CAPACITOR 6.8μF,16V
C4014	NCF31EZ-104X	CAPACITOR 0.1μF,25V	C5221	NCB11EK-105X	CAPACITOR 1μF,25V
C4017	NCF31EZ-104X	CAPACITOR 0.1μF,25V	C5222	NCB31CK-104X	CAPACITOR 0.1μF,16V
C4019	NCF31EZ-104X	CAPACITOR 0.1μF,25V	C5223	NCF31EZ-104X	CAPACITOR 0.1μF,25V
C4022	NCF31EZ-104X	CAPACITOR 0.1μF,25V	C5225	NCF31EZ-104X	CAPACITOR 0.1μF,25V
C4024	NCF31EZ-104X	CAPACITOR 0.1μF,25V	C5227	NCB31CK-104X	CAPACITOR 0.1μF,16V
C4028	NCF31EZ-104X	CAPACITOR 0.1μF,25V	C5228	NCF31EZ-104X	CAPACITOR 0.1μF,25V



#	△ REF No.	PART No.	PART NAME, DESCRIPTION	#	△ REF No.	PART No.	PART NAME, DESCRIPTION
C5229		NCB11EK-105X	CAPACITOR 1μF,25V	C6702		NCB41CK-106X	CAPACITOR 10μF,16V
C5230		NCB21EK-104X	CAPACITOR 0.1μF,25V	C6711		NCB21HK-472X	CAPACITOR 0.0047μF,50V
C5232		NDC31HJ-100X	CAPACITOR 10pF,50V	C6802		NCF21CZ-105X	CAPACITOR 1μF,16V
C5233		NDC31HJ-100X	CAPACITOR 10pF,50V	C6805		NCB31HK-102X	CAPACITOR 0.001μF,50V
C5234		NDC31HJ-100X	CAPACITOR 10pF,50V	C6810		NCB31EK-103X	CAPACITOR 0.01μF,25V
C5235		NDC31HJ-100X	CAPACITOR 10pF,50V	C6812		NCF21CZ-105X	CAPACITOR 1μF,16V
C5236		NDC31HJ-100X	CAPACITOR 10pF,50V	C6820		NCB31HK-102X	CAPACITOR 0.001μF,50V
C5237		NDC31HJ-100X	CAPACITOR 10pF,50V	C7001		NCB31EK-103X	CAPACITOR 0.01μF,25V
C6002		NEA71CM-106X	E CAPACITOR 10μF,16V	C7002		NBE20JM-106X	T CAPACITOR 10μF,6.3V
C6004		NCF21CZ-105X	CAPACITOR 1μF,16V	C7019		NDC31HJ-121X	CAPACITOR 120pF,50V
C6005		NCB21CK-105X	CAPACITOR 1μF,16V	C7020		NDC31HJ-151X	CAPACITOR 150pF,50V
C6006		NCF21CZ-105X	CAPACITOR 1μF,16V	C7021		NBP41EM-475X	T CAPACITOR 4.7μF,25V
C6007		NCB21CK-105X	CAPACITOR 1μF,16V	C7022		NCB31EK-103X	CAPACITOR 0.01μF,25V
C6009		NDC31HJ-820X	CAPACITOR 82pF,50V	C7023		NCB31EK-103X	CAPACITOR 0.01μF,25V
C6010		NCB21CK-105X	CAPACITOR 1μF,16V	C7024		NBP41EM-475X	T CAPACITOR 4.7μF,25V
C6011		NCB21CK-104X	CAPACITOR 0.1μF,16V	C7025		NCB31EK-103X	CAPACITOR 0.01μF,25V
C6012		NCB21CK-224X	CAPACITOR 0.22μF,16V	C7026		NBE20JM-106X	T CAPACITOR 10μF,6.3V
C6013		NCB31EK-473X	CAPACITOR 0.047μF,25V	C7028		NCB31EK-103X	CAPACITOR 0.01μF,25V
C6014		NCB31EK-473X	CAPACITOR 0.047μF,25V	C7029		NCB31CK-104X	CAPACITOR,A,B 0.1μF,16V
C6015		NCB31EK-473X	CAPACITOR 0.047μF,25V	C7030		NCB31EK-103X	CAPACITOR 0.01μF,25V
C6016		NCB31EK-473X	CAPACITOR 0.047μF,25V	C7031		NDC31HJ-220X	CAPACITOR 22pF,50V
C6017		NCF21CZ-105X	CAPACITOR 1μF,16V	C7032		NCB31CK-104X	CAPACITOR 0.1μF,16V
C6101		NCB21CK-105X	CAPACITOR 1μF,16V	C7033		NCB21CK-334X	CAPACITOR 0.33μF,16V
C6102		NCB10JK-106X	CAPACITOR 10μF,6.3V	C7034		NDC31HJ-331X	CAPACITOR 330pF,50V
C6105		NCB31HK-102X	CAPACITOR 0.001μF,50V	C7035		NDC31HJ-330X	CAPACITOR 33pF,50V
C6106		NCF21CZ-105X	CAPACITOR 1μF,16V	C7036		NCB31CK-104X	CAPACITOR 0.1μF,16V
C6107		NCF21CZ-105X	CAPACITOR 1μF,16V	C7037		NDC31HJ-330X	CAPACITOR 33pF,50V
C6108		NCF21CZ-105X	CAPACITOR 1μF,16V	C7038		NCB31EK-103X	CAPACITOR 0.01μF,25V
C6110		NCB31HK-152X	CAPACITOR 0.0015μF,50V	C7039		NBP41CM-106X	T CAPACITOR 10μF,16V
C6201		NCB21CK-105X	CAPACITOR 1μF,16V	C7042		NCB31EK-103X	CAPACITOR 0.01μF,25V
C6202		NCB10JK-106X	CAPACITOR 10μF,6.3V	C7045		NDC31HJ-100X	CAPACITOR 10pF,50V
C6203		NEA70JM-476X	E CAPACITOR 47μF,6.3V	C7046		NDC31HJ-100X	CAPACITOR 10pF,50V
C6205		NCB31HK-472X	CAPACITOR 0.0047μF,50V	C7047		NDC31HJ-100X	CAPACITOR 10pF,50V
C6210		NCB31EK-103X	CAPACITOR 0.01μF,25V	C7048		NBE20JM-106X	T CAPACITOR 10μF,6.3V
C6301		NCB11CK-225X	CAPACITOR 2.2μF,16V	C7051		NCB31EK-103X	CAPACITOR 0.01μF,25V
C6302		NCB10JK-106X	CAPACITOR 10μF,6.3V	C7052		NBE20JM-106X	T CAPACITOR 10μF,6.3V
C6303		NEA70JM-226X	E CAPACITOR 22μF,6.3V	C7053		NCB31EK-103X	CAPACITOR 0.01μF,25V
C6305		NCB31HK-561X	CAPACITOR 560pF,50V	C7054		NBP41EM-475X	T CAPACITOR 4.7μF,25V
C6306		NCB21CK-105X	CAPACITOR 1μF,16V	C7057		NCB31EK-682X	CAPACITOR,A,B 0.0068μF,25V
C6307		NEA71CM-106X	E CAPACITOR,B,C 10μF,16V	C7059		NBP41EM-475X	T CAPACITOR 4.7μF,25V
C6308		NBE20JM-106X	T CAPACITOR 10μF,6.3V	C7060		NCB11CK-225X	CAPACITOR 2.2μF,16V
C6310		NCB31HK-102X	CAPACITOR 0.001μF,50V	C7064		NCB11EK-105X	CAPACITOR 1μF,25V
C6401		NCB21CK-105X	CAPACITOR 1μF,16V	C7065		NCB11EK-105X	CAPACITOR 1μF,25V
C6402		NCF21CZ-105X	CAPACITOR 1μF,16V	C7066		NCB11EK-105X	CAPACITOR 1μF,25V
C6406		NCB31CK-683X	CAPACITOR 0.068μF,16V	C7067		NCB31CK-104X	CAPACITOR 0.1μF,16V
C6410		NCB21CK-474X	CAPACITOR 0.47μF,16V	C7069		NCB31EK-103X	CAPACITOR 0.01μF,25V
C6501		NCB21CK-105X	CAPACITOR 1μF,16V	L101		NQL034K-330X	COIL 33μH
C6502		NCF21CZ-105X	CAPACITOR 1μF,16V	L501		NQR0129-002X	FERRITE BEAD
C6506		NCB21CK-224X	CAPACITOR 0.22μF,16V	L1601		NQL38DK-100X	COIL 10μH
C6510		NCB31CK-104X	CAPACITOR 0.1μF,16V	L1602		NQL144K-100X	COIL 10μH
C6601		NCB11CK-225X	CAPACITOR 2.2μF,16V	L2001		NQL144K-101X	COIL 100μH
C6602		NCF21CZ-105X	CAPACITOR 1μF,16V	L2003		NQL034K-470X	COIL 47μH
C6603		NCB11CK-475X	CAPACITOR 4.7μF,16V	L2021		NQL144K-470X	COIL 47μH
C6605		NDC31HJ-331X	CAPACITOR 330pF,50V	L2051		NRSA63J-0R0X	MG RESISTOR 0Ω,1/16W
C6606		NCF21CZ-105X	CAPACITOR 1μF,16V	L2052		NRSA63J-0R0X	MG RESISTOR 0Ω,1/16W
C6607		NCB11EK-105X	CAPACITOR 1μF,25V	L2071		NRSA63J-0R0X	MG RESISTOR 0Ω,1/16W
C6610		NCB31EK-103X	CAPACITOR 0.01μF,25V	L2072		NRSA63J-0R0X	MG RESISTOR 0Ω,1/16W
C6616		NCB21CK-105X	CAPACITOR 1μF,16V	L2401		NQL144K-470X	COIL 47μH
C6622		NCB21CK-105X	CAPACITOR 1μF,16V	L3002		NQR0006-001X	FERRITE BEAD
C6700		NCB31HK-272X	CAPACITOR 0.0027μF,50V	L3003		NQR0129-002X	FERRITE BEAD
C6701		NCF21CZ-105X	CAPACITOR 1μF,16V	L3502		NQL38DK-220X	COIL 22μH

# ▲ REF No.	PART No.	PART NAME, DESCRIPTION	# ▲ REF No.	PART No.	PART NAME, DESCRIPTION
L3503	NQL085J-5R6X	COIL			5.6μH
L4005	NQL38DK-220X	COIL			22μH
L4201	NQR0006-001X	FERRITE BEAD			
L4501	NQR0006-001X	FERRITE BEAD			
L4502	NQL034K-220X	COIL			22μH
L4701	NQL38DK-220X	COIL			22μH
L5201	NQL38DK-470X	COIL			47μH
L5202	NQL38DK-220X	COIL			22μH
L5203	NQL38DK-220X	COIL			22μH
L6001	NQL52EM-100X	COIL			10μH
L6002	NQL52EM-100X	COIL			10μH
L6101	NQL52EM-390X	COIL			39μH
L6106	NQL144K-101X	COIL			100μH
L6107	NQL144K-101X	COIL			100μH
L6201	NQL52EM-470X	COIL			47μH
L6301	NQL52EM-390X	COIL			39μH
L6306	NQL52EM-470X	COIL,B,C			47μH
L6401	NQL52EM-470X	COIL			47μH
L6501	NQL52EM-470X	COIL			47μH
L6601	NQL52EM-221X	COIL			220μH
L6602	NQL144K-221X	COIL			220μH
L6606	NQL144K-220X	COIL			22μH
L6701	NQL52EM-100X	COIL			10μH
L7001	NQL38DK-220X	COIL			22μH
L7005	NQL38DK-220X	COIL			22μH
L7006	NQL38DK-220X	COIL			22μH
L7007	NQL38DK-220X	COIL			22μH
L7008	NQL38DK-220X	COIL			22μH
L7009	NQL38DK-220X	COIL			22μH
L7010	NQL085J-4R7X	COIL			4.7μH
L7012	NQL144K-100X	COIL			10μH
X101	NAX0251-001X	CRYSTAL RESONATOR			
X102	NAX0325-001X	CRYSTAL RESONATOR			
X3001	QAX0596-001	CRYSTAL RESONATOR			
WR1	WJV0039-001A	E-PRIMARY WIRE, JUMP WIRE			
▲ J101	QAB0022-001	LI BATTERY			
J504	LY31356-002A	JACK UNIT			
J505	QND0068-001	S JACK,B,C			
CN1	QGF0507F3-10X	FFC/FPC CONNECTOR			
CN2	QGF0507F3-14X	FFC/FPC CONNECTOR			
CN3	QGF0505F2-18X	FPC CONNECTOR			
CN4	QGA1201F2-02X	CONNECTOR,A			
	QGA1201F2-06X	CONNECTOR,B,C			
CN5	QGF0507F1-11X	FPC CONNECTOR			
CN7	QGF0507F3-11X	FFC/FPC CONNECTOR			
CN8	QGA1201C2-02X	CONNECTOR			
CN12	QGA1201F2-05X	CONNECTOR			
CN13	QGF0507F3-14X	FFC/FPC CONNECTOR			
CN15	QGF0507F1-22X	FPC CONNECTOR			
CN16	QGF0305F1-33X	FPC CONNECTOR			
CN18	QGF0507F3-12X	FFC/FPC CONNECTOR			
CN22	QGF0507F3-14X	FFC/FPC CONNECTOR			
CN25	QGB0506L1-30X	CONNECTOR			
CN27	QGA1201C2-02X	CONNECTOR			
CN28	QGA1002F1-13X	CONNECTOR			
▲ F6001	NMFZ007-2R0X-K	FUSE			T2.0A
▲ F6002	NMFZ010-R50X-A	FUSE			T0.5A
SD1	LY42914-001A	SHIELD PLATE			
OT1	LY30016-049A	SPACER-A,FOR WR1			
OT2	LY30029-0B6A	SPACER(A),FOR LI BATTERY			